

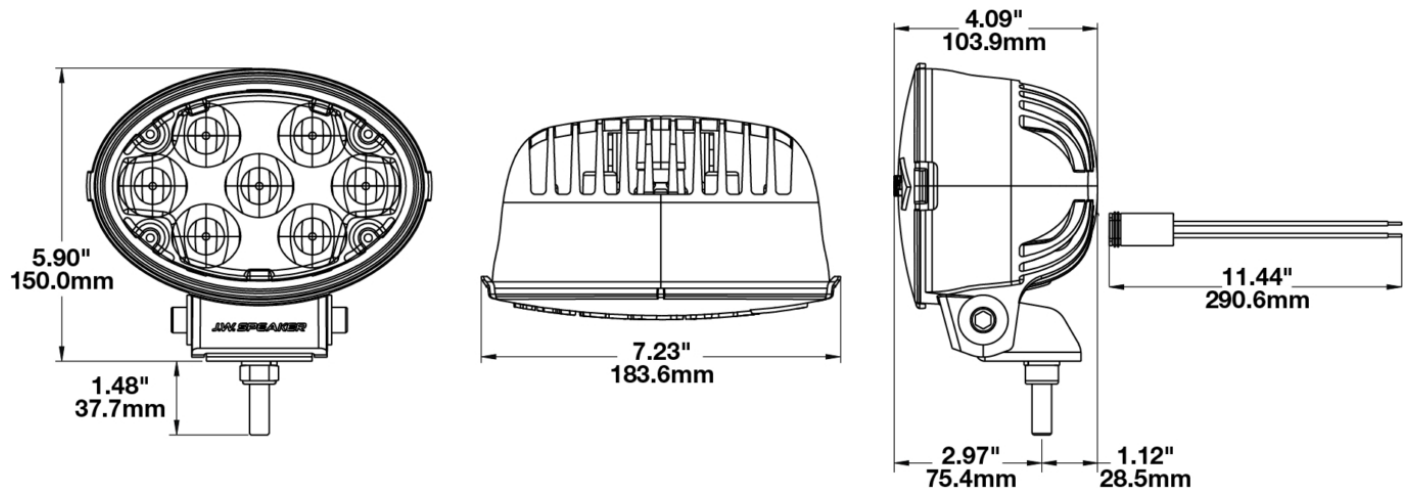
# LED Off road Light - Model TS3001V

## PRODUCT INFORMATION

<b>Description</b>	12-24V LED Auxiliary Light with Pencil Beam - 1 Light
<b>Height</b>	150.00 mm / 5.91 in
<b>Width</b>	184.00 mm / 7.24 in
<b>Depth</b>	104.00 mm / 4.09 in
<b>Shape</b>	Oval
<b>Outer Lens Material</b>	Polycarbonate
<b>Outer Lens Color</b>	Clear
<b>Housing Material</b>	Xenoy
<b>Housing Color</b>	Black
<b>Mounting Hardware Description</b>	(x1) 3/8-16 x 1.5" Stainless Steel Screws
<b>Mounting Type</b>	Bracket
<b>Connector or Wiring</b>	Integral Deutsch DT04-2P
<b>Mating Connector</b>	DT06-2S
<b>Product Weight</b>	2.01 lbs / 0.91 kgs
<b>Shipping Weight</b>	2.01 lbs / 0.91 kgs



## PRODUCT DIMENSIONS



Print date: 2024-08-11

© 2024 J.W. Speaker Corporation • Germantown, WI U.S.A.  
[www.jwspeaker.com](http://www.jwspeaker.com) • [speaker@jwspeaker.com](mailto:speaker@jwspeaker.com) • 262.251.6660

**J.W. SPEAKER**  
 Engineered. Lighting. Solutions.

# LED Off road Light - Model TS3001V

## ELECTRICAL SPECIFICATIONS

<b>Input Voltage</b>	12-24V DC
<b>Operating Voltage</b>	9-32V DC
<b>Red Wire</b>	Power
<b>Black Wire</b>	Ground
<b>Current Draw</b>	1.40A @ 9V DC (DC On) 0.90A @ 16V DC (DC On) 2.70A @ 9V DC (Jeep On) 1.60A @ 16V DC (Jeep On)

## REGULATORY STANDARDS COMPLIANCE

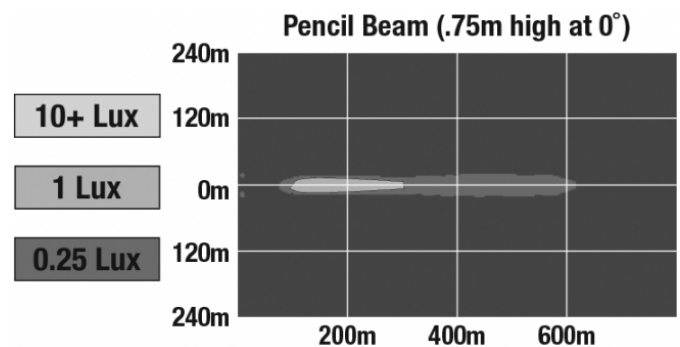


Buy America Standards  
IEC IP67

Eco Friendly

## PHOTOMETRIC SPECIFICATIONS

<b>Raw Lumen Output</b>	1,960
<b>Effective Lumen Output</b>	1,080
<b>Candela Output</b>	96,000
<b>Beam Pattern(s)</b>	Forward Lighting - Pencil



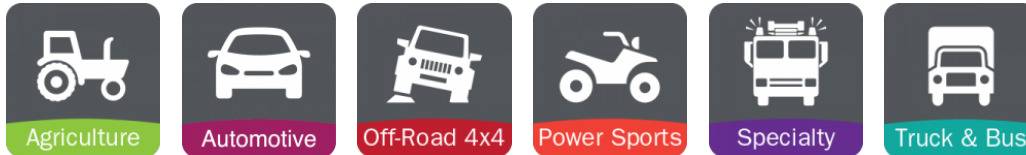
Print date: 2024-08-11

© 2024 J.W. Speaker Corporation • Germantown, WI U.S.A.  
www.jwspeaker.com • speaker@jwspeaker.com • 262.251.6660

**J.W. SPEAKER**  
Engineered. Lighting. Solutions.

# LED Off road Light - Model TS3001V

## APPLICATIONS



## PRODUCT WARNINGS

For California residents:

⚠ **WARNING:** Cancer and reproductive harm - [www.P65Warnings.ca.gov](http://www.P65Warnings.ca.gov).

⚠ **AVERTISSEMENT:** Cancer et effet nocif sur la reproduction - [www.P65Warnings.ca.gov](http://www.P65Warnings.ca.gov).

## ACCESSORIES



**Part Number**  
**5865951**  
Black Replacement  
Lens Cover for Model  
TS3001V



**Part Number**  
**5874231**  
Clear Replacement  
Lens Cover for Model  
TS3001V



**Part Number**  
**5874241**  
Red Replacement Lens  
Cover for Model  
TS3001V



**Part Number**  
**5874251**  
Amber Replacement  
Lens Cover for Model  
TS3001V



**Part Number**  
**5874261**  
Blue Replacement  
Lens Cover for Model  
TS3001V



**Part Number**  
**6149203**  
A-Pillar Mounting Kit  
for Jeep JK



**Part Number**  
**6149233**  
A-Pillar Mounting Kit  
for Jeep TJ

Print date: 2024-08-11

© 2024 J.W. Speaker Corporation • Germantown, WI U.S.A.  
[www.jwspeaker.com](http://www.jwspeaker.com) • [speaker@jwspeaker.com](mailto:speaker@jwspeaker.com) • 262.251.6660

**J.W. SPEAKER**  
Engineered. Lighting. Solutions.

# LED Off road Light - Model TS3001V

## RELATED PRODUCTS

---



**Part Number**  
**0550671**  
12-24V DOT LED  
Auxiliary Light with  
Driving Beam - 1 Light



**Part Number**  
**0550673**  
12-24V DOT LED  
Auxiliary Light with  
Driving Beam - 2 Light  
Kit



**Part Number**  
**0550691**  
12-24V ECE LED  
Auxiliary Light with  
Driving Beam - 1 Light



**Part Number**  
**0550693**  
12-24V ECE LED  
Auxiliary Light with  
Driving Beam - 2 Light  
Kit



**Part Number**  
**0550713**  
12-24V LED Auxiliary  
Light with Pencil Beam  
- 2 Light Kit